

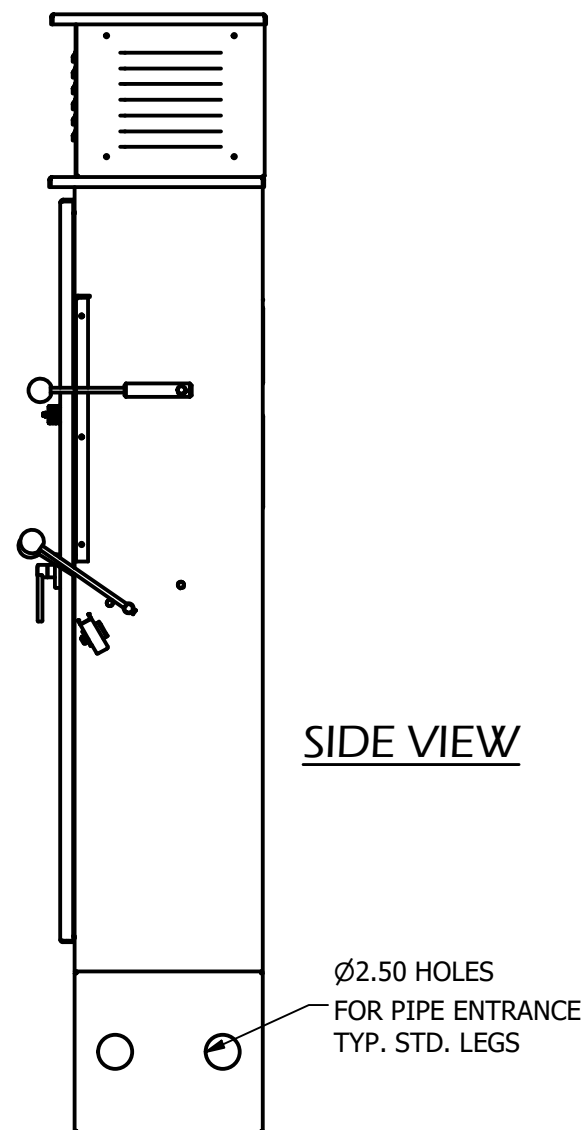
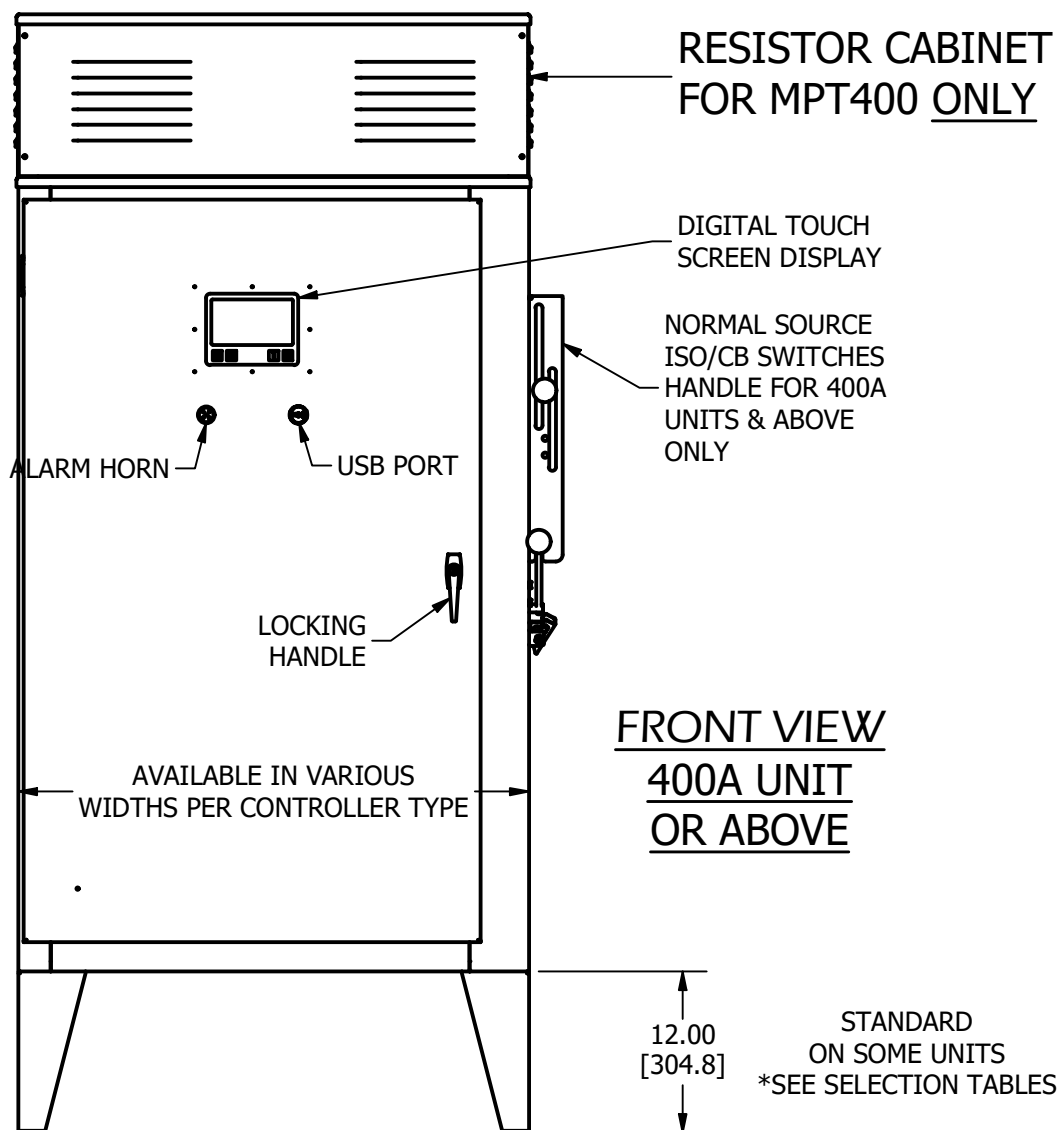


PRODUCT DATA

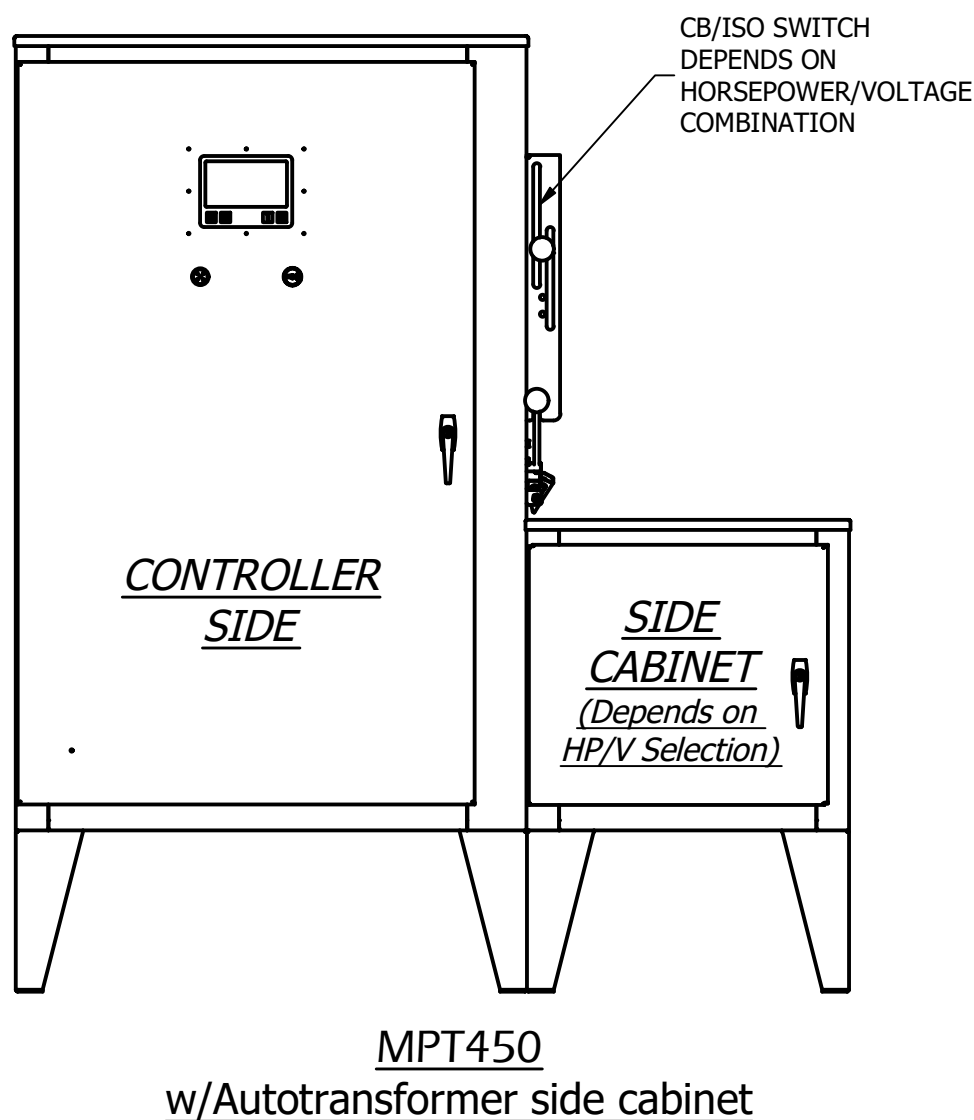
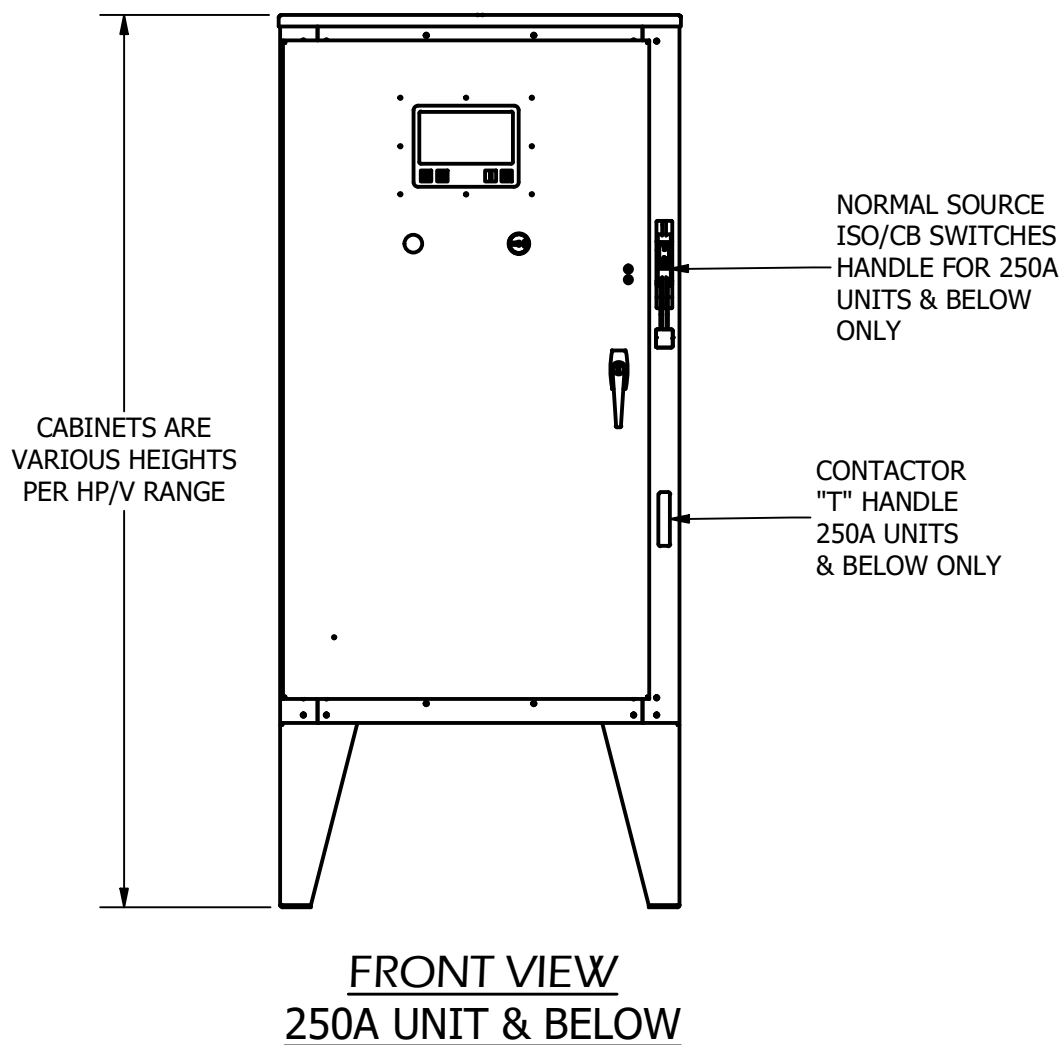
ELECTRIC FIRE PUMP CONTROLLER WITHOUT TRANSFER SWITCH



MPT400, MPT450



*** TO SEE HORSEPOWER/VOLTAGE RANGES PER CONTROLLER TYPE; SEE PRODUCT SELECTION TABLES FOR INDIVIDUAL CONTROLLER TYPES.**



ENCLOSURE TYPES	COMMENTS
TYPE 3R CRS (STD) SHOWN	
TYPE 4 CRS	
TYPE 4X CRS	
TYPE 304 SS (PAINTED)	
TYPE 304 SS UNPAINTED	
TYPE 316 SS PAINTED	*CONTACT FACTORY FOR OPTIONS
TYPE 316 SS UNPAINTED	*CONTACT FACTORY FOR OPTIONS

SELECTION AVAILABLE
CONTROLLER TYPE
MPT400
MPT450

CONTROLLER WITHOUT MTS (NO TRANSFER SWITCH)		DRAWING NO.
DATE: 7/12/2021	DRAWN BY: S. JUDD	MPT400 / MPT450
METRON Division of - Hubbell ICD, Inc. 4301 Cheyenne Drive Archdale, N.C. 27263		